

EMERGENCY EYEWASH SHOWER STATION



EMERGENCY
RESPONSE

Emergency eyewash and shower station provides a quick and easy solution for rinsing eyes and skin in the event of chemical exposure or accidents. This station is designed for easy access and quick activation, featuring a durable construction for long-lasting use. Eyewash and shower stations are essential in laboratories, manufacturing plants, healthcare facilities and warehouse where employees work with corrosive chemicals or other hazardous materials. In case of accidental exposure, immediate rinsing is crucial to prevent serious injuries.



ANSI Compliance Requirements

1 Location Of Equipment

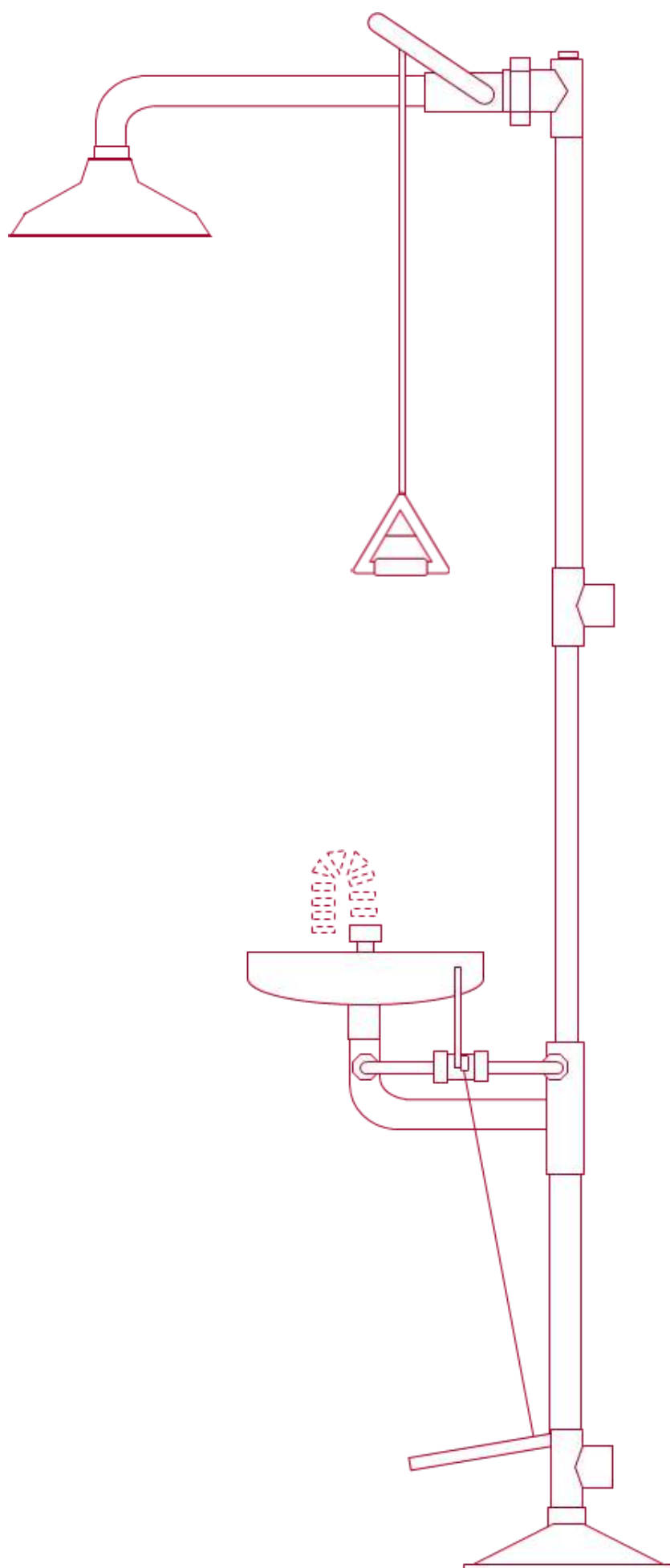
The ANSI standard states that all flushing equipment must be located in areas that are accessible within 10 seconds (roughly 55 feet). This is commonly referred to in the industry as the 10 second rule. Best practices are to use a stop watch from your hazardous areas and determine if you have the proper flushing fluid located within 10 seconds. Keep in mind that an injured worker may need additional time to reach the flushing stations, as the severity of their injury will dictate. In the presence of highly corrosive chemicals, consideration should be given to install the flushing equipment much closer to the hazard.

2 Obstructions

The safety showers and eyewash stations must be located on the same level as the hazard and the path of travel shall be free from obstructions. If your facility contains a hazardous area that is located on a different level, door, or platform than your current flushing stations, you must install equipment on every level that contains a hazard. Items such as trash cans, pallet jacks, boxes, raw materials, or any other stored items must not block access to the flushing stations.

3 Identification

Eyewash and drench shower stations must be installed in a well-lit area and identified with a highly visible safety sign.



4 Supply Lines

All water supply lines must be provided to meet the ANSI minimum flow requirements at 30-90 PSI. The recommended incoming pipe sizes are as follows:

- 1/2" (1.27 cm) IPS for eyewash stations
- 1" (2.54 cm) IPS for drench showers

5 Shut Off Valves

If shut off valves are installed on the supply line for maintenance purposes, provisions must be in place to prevent unauthorized shut-off. Lockout Tagout devices are the most common method to secure shut off valves, only maintenance personnel should be authorized to unlock the valve.

6 Water Temperature & Tepid Water

Delivering tepid water is a crucial but often overlooked component of providing compliant eyewash and drench shower flushing stations. The previously updated ANSI Z358.1-2009 emergency eyewash and shower equipment standard includes the strictest language to date for the delivery of tepid water. ANSI defines "tepid water" as "A flushing fluid temperature conducive to promoting a minimum 15 minute irrigation period. A suitable range is 16-38°C (60-100°F)." Recent data compiled from end user customers and regulatory authorities has indicated that tepid water is becoming an increased focus during eyewash/shower facility inspections, especially at healthcare facilities.

7 Training

All employees who may be exposed to hazardous, particulate, or corrosive materials shall be instructed on the proper operation of eyewash & drench shower equipment. In addition, all employees must be made aware of the locations of flushing stations.

8 Maintenance & Testing

Proper maintenance and weekly testing is necessary to ensure that emergency drench showers and eyewash stations are functioning safely and properly. Weekly testing helps clear the supply lines of sediment and bacteria build-up that is caused from stagnant water. The ANSI standard states that plumbed flushing equipment, "shall be activated weekly for a period long enough to verify operation and ensure that flushing fluid is available." Furthermore, the ANSI Z358.1 standard also requires portable and self-contained equipment "be visually checked to determine if flushing fluid needs to be changed or supplemented.

WALL MOUNTED EMERGENCY EYEWASH

Eyewash stations are designed to flush the eye and face area only. Emergency eye wash is used to drench or flush the eyes with water when dust, irritants, or chemicals enter the eye. Wall mounted Eyewash station easier to install in locations where workers are handling injurious corrosive or caustic chemicals. It must be accessible within 10-seconds of hazard, approximately 55-feet.

Wall Mounted ABS Eyewash

VAL-EYE-WA

- Pipe & Fittings : Stainless steel 201 with chemical resistant yellow color coating
- Eyewash Bowl : 250mm - ABS
- Eye spray head: Chemical resistant PP, built-in with stainless steel filter for impurity clearance.
- Eye Spray with anti dust cap & flow regulator
- Hand push board : ABS
- Ball Valve: 1/2" eye wash ball valve with push board.
- Water Inlet : 1/2"
- Water Outlet : 1"
- Water pressure : 0.2Mpa – 0.6Mpa



Accessories



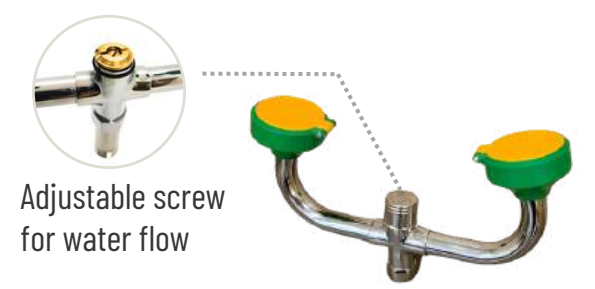
ABS EYE BOWL



STAINLESS STEEL
EYE BOWL



HAND PUSH BOARD



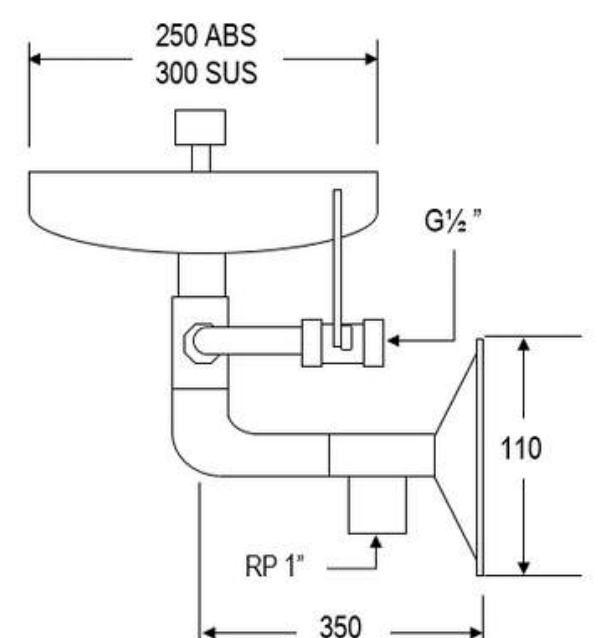
Adjustable screw
for water flow

EYEWASH SPRAY HEAD

Wall Mounted Stainless Steel Eyewash

VAL-EYE-WS

- Pipe & Fittings : Stainless steel SS201 with chemical resistant yellow colour coating
- Eyewash Bowl : 300mm - stainless steel SS304
- Eye spray head: Chemical resistant PP, built-in with stainless steel filter for impurity clearance.
- Eye Spray with anti dust cap & flow regulator
- Hand push board : ABS
- Ball Valve: 1/2" eye wash ball valve with push board.
- Water Inlet : G 1/2"
- Waste Outlet : RP 1"
- Water pressure : 0.2Mpa – 0.6Mpa



DIMENSION
mm

FLOOR MOUNTED EMERGENCY EYEWASH

Emergency eye wash is used to drench or flush the eyes with water when dust, irritants, or chemicals enter the eye. Eyewash stations are designed to flush the eye and face area only. Eyewash station required in locations where workers are handling injurious corrosive or caustic chemicals. It must be accessible within 10-seconds of hazard, approximately 55-feet.



EMERGENCY
RESPONSE

Floor Mounted ABS Emergency Eyewash

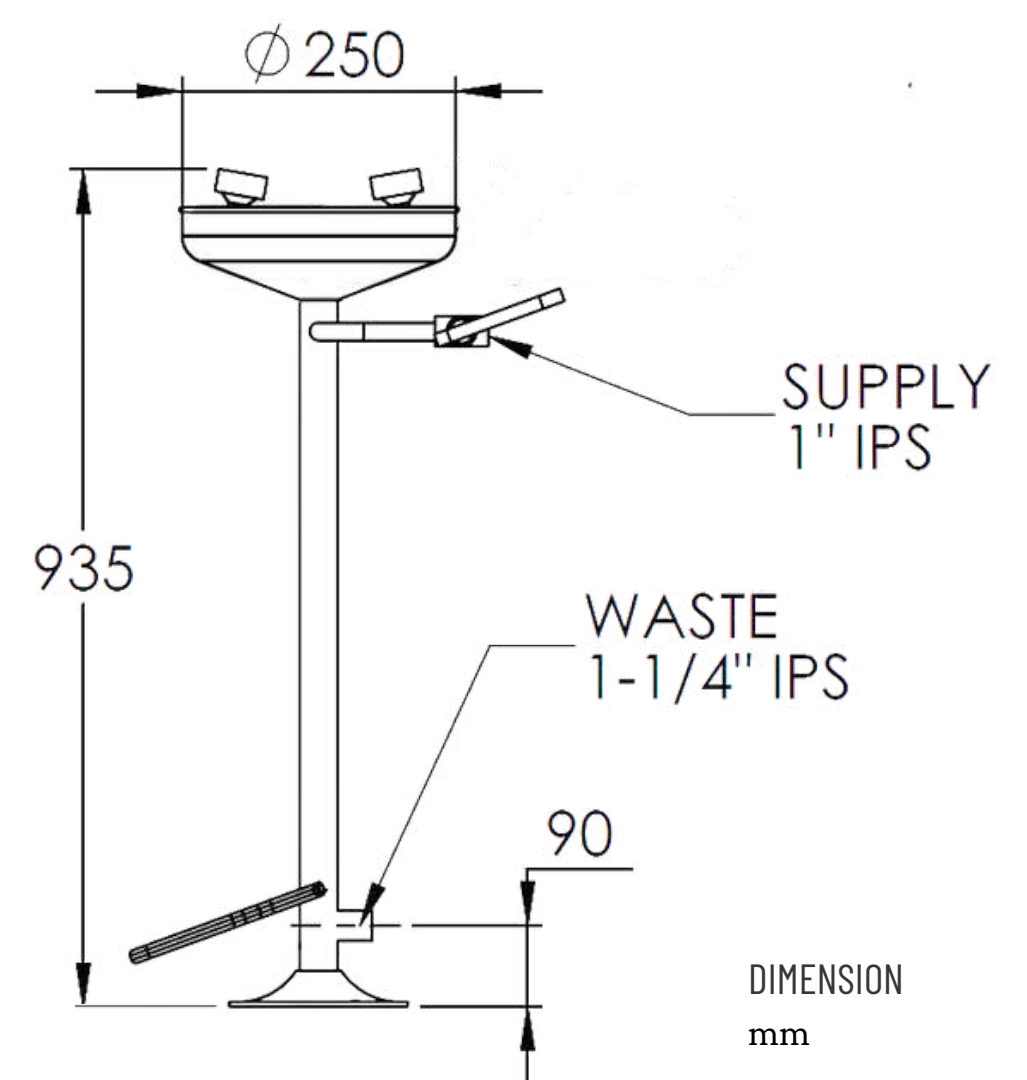
VAL-EYE- A

- Pipe & Fittings : 42mm Stainless steel SS201 with chemical resistant red color coating
- Eyewash Bowl : 250mm ABS
- Eye spray head: Chemical resistant PP, built-in with stainless steel filter for impurity clearance.
- Adjustable water flow eye sprayer
- Eye Spray with anti dust cap
- Foot Pedal : Stainless steel pedal with epoxy powder coated.
- Hand push board : ABS
- Ball Valve: RP 1/2" eye wash ball valve with push board.
- Water Inlet : RP 1/2"
- Water Outlet : RP1"
- Water pressure : 0.2Mpa – 0.6Mpa
- ANSI Z358.1 SIRIM TESTED



FEATURES

Pipe Material	42mm Stainless steel SS201
Body Coating	Chemical resistant red color coating
Ball Valve	1/2" BSP eye wash ball valve with push board
Eye Bowl	250mm ABS
Eye Sprayer	Anti dust cap PP sprayer head with filter and water flow regulator
Hand Push Board	ABS
Foot Pedal	Stainless steel with epoxy powder coated
Water Inlet	RP 1/2"
Water Outlet	RP 1"



Floor Mounted Stainless Steel Emergency Eyewash

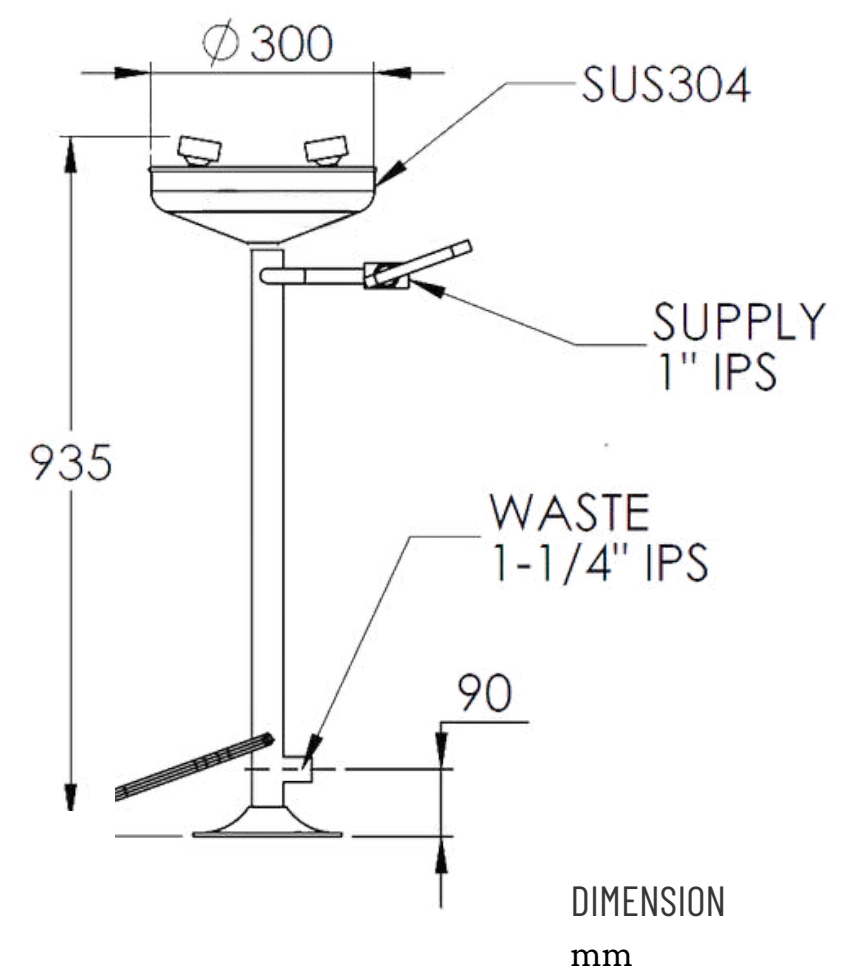
VAL-EYE-S



- Pipe & Fittings : 42mm Stainless steel SS201 with chemical resistant red color coating
- Eyewash Bowl : 300mm - SS304 stainless steel
- Eye spray head: Chemical resistant PP, built-in with stainless steel filter for impurity clearance.
- Eye Spray with anti dust cap & flow regulator
- Foot Pedal : Stainless steel pedal with epoxy powder coated.
- Hand push board : ABS
- Ball Valve: RP 1/2" eye wash ball valve with push board.
- Water Inlet : RP 1/2"
- Water Outlet : RP1"
- Water pressure : 0.2Mpa – 0.6Mpa
- ANSI Z358.1 SIRIM TESTED

FEATURES

Pipe Material	42mm Stainless steel SS201
Body Coating	Chemical resistant red color coating
Ball Valve	1/2" BSP eye wash ball valve with push board
Eye Bowl	300mm stainless steel SS304
Eye Sprayer	Anti dust cap PP sprayer head with filter and water flow regulator
Hand Push Board	ABS
Foot Pedal	Stainless steel with epoxy powder coated
Water Inlet	RP 1/2"
Water Outlet	RP1"



Accessories



ABS EYE BOWL

STAINLESS
STEEL EYE BOWL



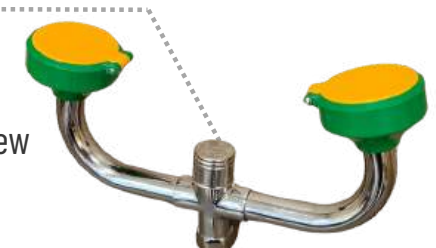
HAND PUSH BOARD



STAINLESS STEEL
FOOT PEDAL



Adjustable screw
for water flow



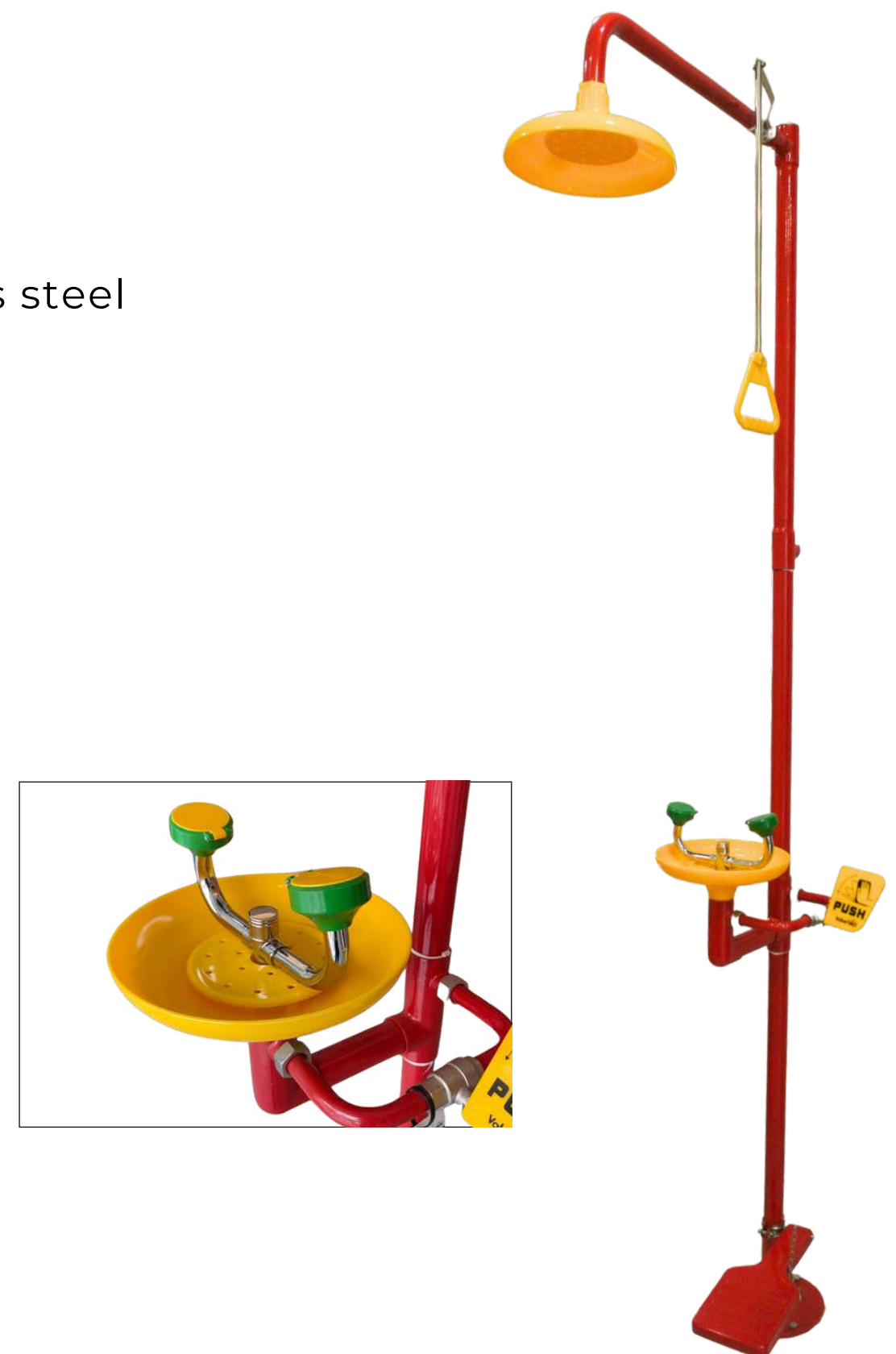
EYEWASH SPRAY HEAD

Floor Mounted ABS Combination Eyewash & Shower

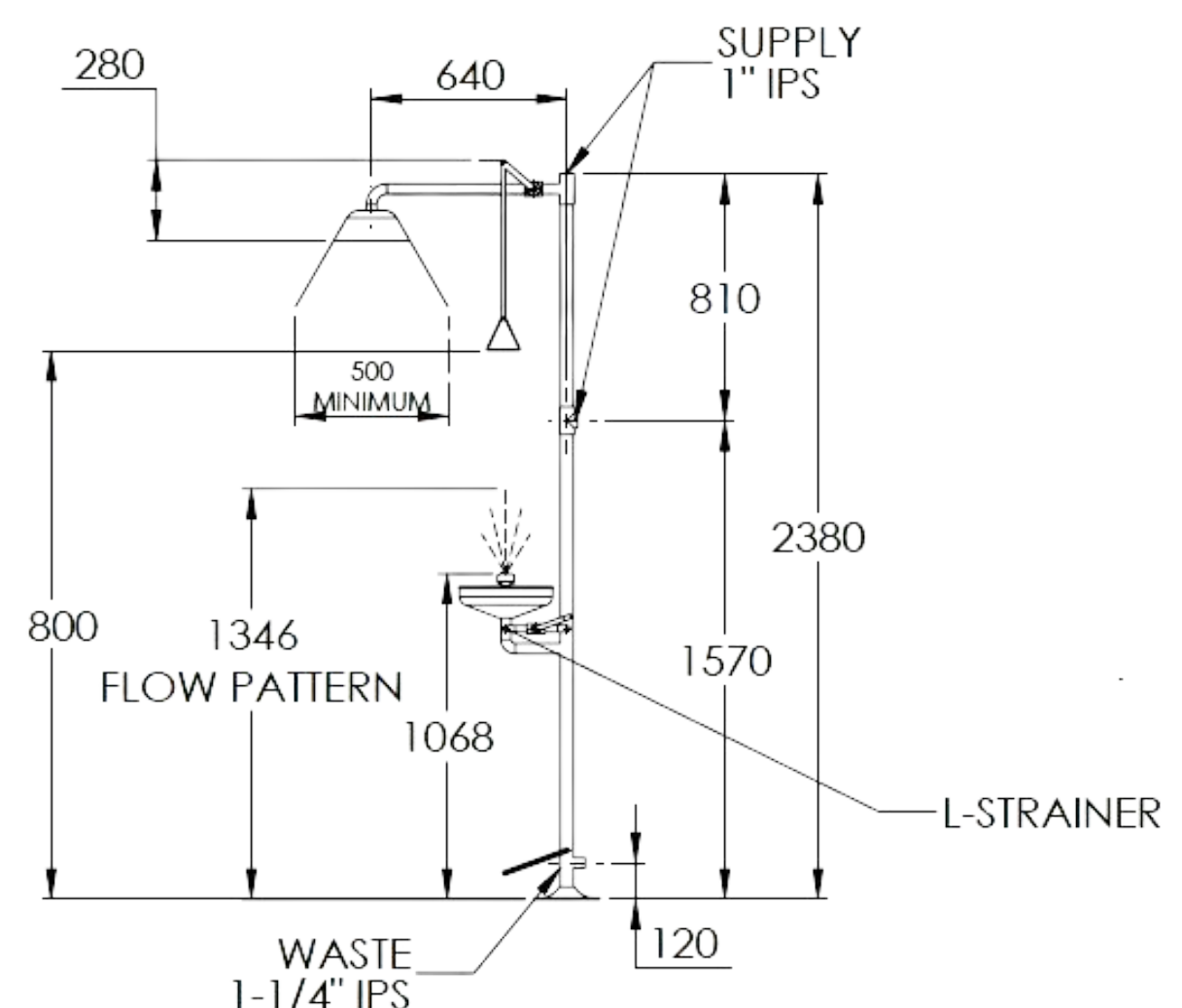
VAL-SE-S201-V2-AA

FEATURES

- Pipe & Fittings : 42mm Stainless steel SS304 with chemical resistant red color coating
- Shower Bowl : 250mm - ABS
- Eyewash Bowl : 250mm - ABS
- Eye spray head: Chemical resistant PP, built-in with stainless steel filter for impurity clearance.
- Adjustable water flow eye sprayer
- Foot Pedal : Stainless steel pedal with epoxy powder coated.
- Hand push board : ABS
- Eyewash Ball Valve: 1/2" ball valve with push board.
- Shower Ball Valve: 1 " ball valve with pull bar
- Water Inlet : RP 1"
- Waste Outlet : RP 1-1/4 "
- Water pressure : 0.2Mpa – 0.6Mpa
- Complied with ANSI Z358.1 standard & SIRIM TESTED



Pipe Material	42mm Stainless steel SS304
Body Coating	Chemical resistant red color coating
Shower Bowl	250mm ABS
Eye Bowl	250mm ABS
Eyewash Ball Valve	1/2" BSP eye wash ball valve with push board
Shower Head Ball Valve	Stainless steel 1" BSP shower ball valve with pull rod
Eye Sprayer	Anti dust cap PP sprayer head with filter and water flow regulator
Hand Push Board	ABS
Foot Pedal	Stainless steel with epoxy powder coated
Water Inlet	RP 1"
Water Outlet	RP 1 1/4"
Dimension (W * H)	640 * 2300mm



DIMENSION
mm

Floor Mounted Stainless Steel Combination Eyewash & Shower

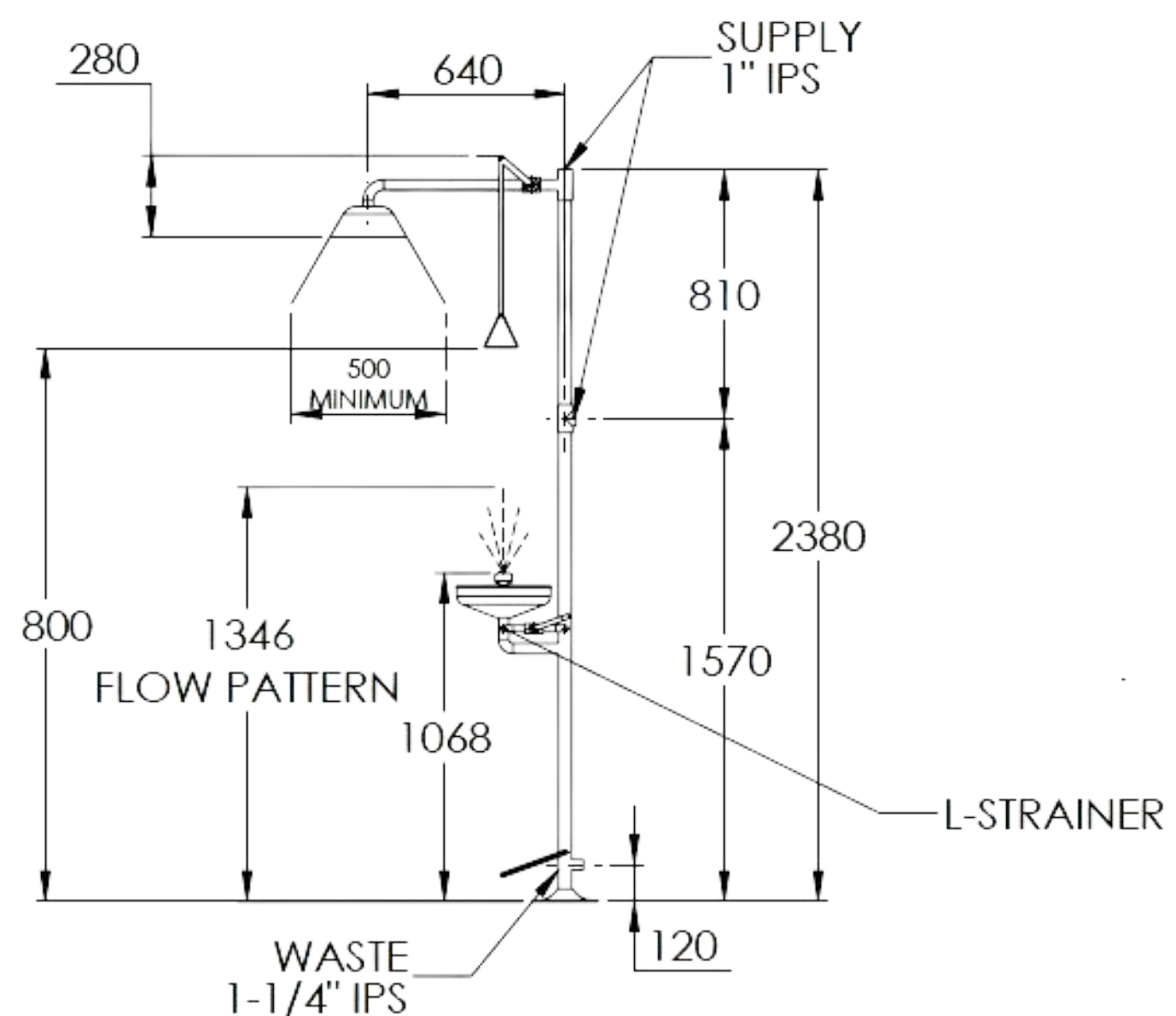
VAL-SE-S201-V2-SS

- Pipe & Fittings : 42mm Stainless steel SS304 with chemical resistant red color coating
- Shower Head: 250mm - SS304 stainless steel
- Eyewash Bowl : 300mm - SS304 stainless steel
- Eye spray head: Chemical resistant PP, built-in with stainless steel filter for impurity clearance.
- Adjustable water flow eye sprayer
- Foot Pedal : Stainless steel pedal with epoxy powder coated.
- Hand push board : ABS
- Eyewash Ball Valve: 1/2" ball valve with push board.
- Shower Ball Valve: 1 " ball valve with pull bar
- Water Inlet : RP 1"
- Waste Outlet : RP 1-1/4"
- Water pressure : 0.2Mpa – 0.6Mpa
- Complied with ANSI Z358.1 standard & SIRIM TESTED



FEATURES :

Pipe Material	42mm Stainless steel SS304
Body Coating	Chemical resistant red color coating
Shower Head	250mm stainless steel SS304
Eye Bowl	300mm stainless steel SS304
Eyewash Ball Valve	1/2" BSP eye wash ball valve with push board
Shower Head Ball Valve	Stainless steel 1" BSP shower ball valve with pull rod
Eye Sprayer	Anti dust cap PP sprayer head with filter and water flow regulator
Hand Push Board	ABS
Foot Pedal	Stainless steel with epoxy powder coated
Water Inlet	RP 1"
Water Outlet	RP 1 1/4"
Dimension (W * H)	640 * 2300mm

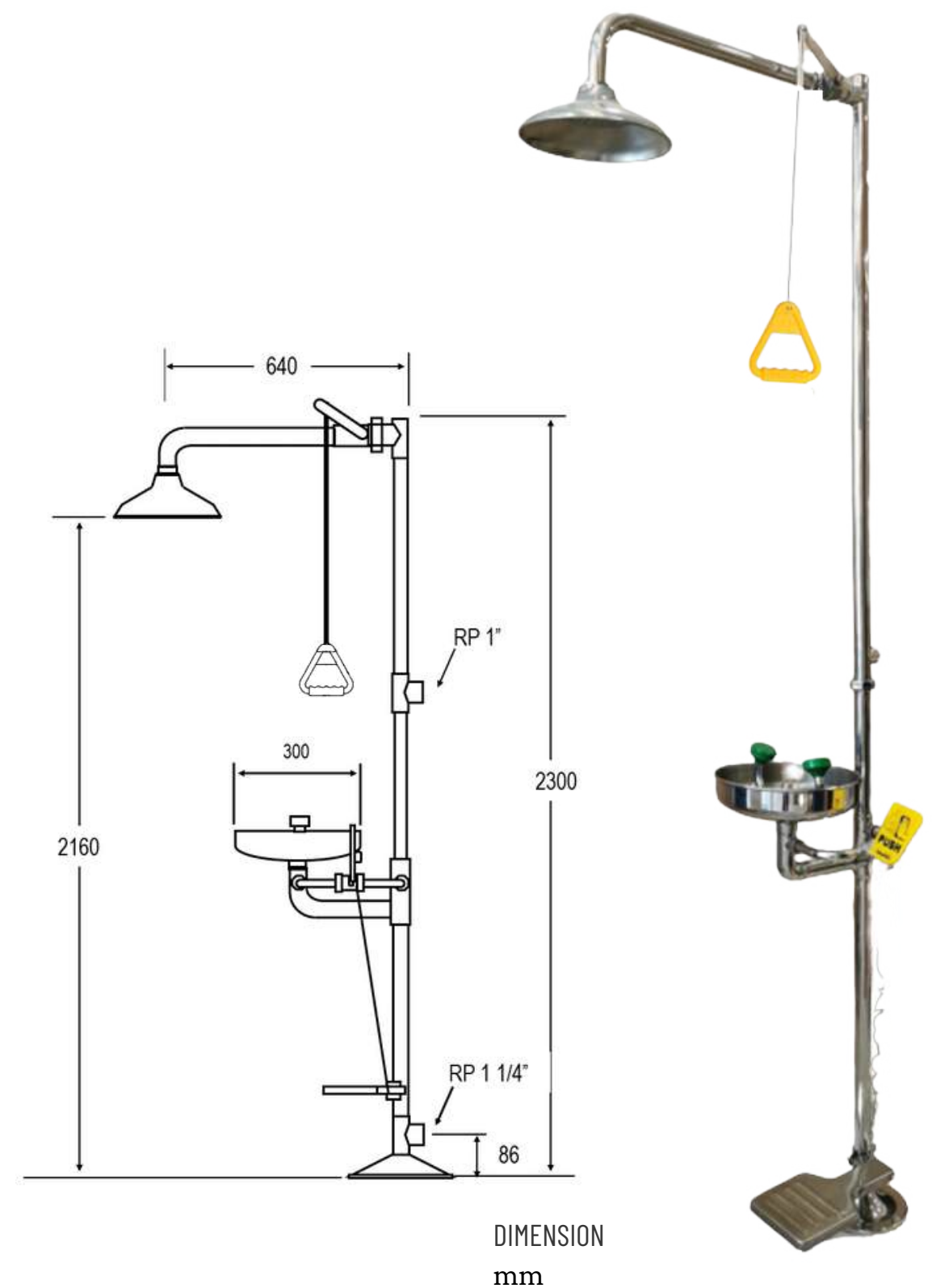


DIMENSION
mm

Floor Mounted SS304 Stainless Steel Emergency Eyewash & Shower

VAL-SE-S201-V2-FS

- Pipe & Fittings : 42mm stainless steel SS304
- Shower Head : 250mm - SS304 stainless steel
- Eyewash Bowl : 300mm - SS304 stainless steel
- Eye spray head: Chemical resistant PP, built-in with stainless steel filter for impurity clearance
- Adjustable water flow eye sprayer
- Foot Pedal : Stainless steel pedal
- Eyewash Ball Valve: 1/2" ball valve with push board.
- Shower Ball Valve: 1" ball valve with pull bar
- Water Inlet : RP 1"
- Waste Outlet : RP 1-1/4"
- Water pressure : 0.2Mpa – 0.6Mpa
- Complied with ANSI Z358.1 standard & SIRIM TESTED



FEATURES

Pipe Material	42mm Stainless steel SS304
Shower Head	250mm stainless steel SS304
Eye Bowl	300mm stainless steel SS304
Eyewash Ball Valve	1/2" BSP eye wash ball valve with push board
Shower Head Ball Valve	Stainless steel 1" BSP shower ball valve with pull rod
Eye Sprayer	Anti dust cap PP sprayer head with filter and water flow regulator
Hand Push Board	ABS
Foot Pedal	Stainless steel with epoxy powder coated
Water Inlet	RP 1"
Water Outlet	RP 1 1/4"
Dimension (W * H)	640 * 2300mm



OPTION : WITH CURTAIN

Floor Mounted SS316 Stainless Steel Emergency Eyewash & Shower

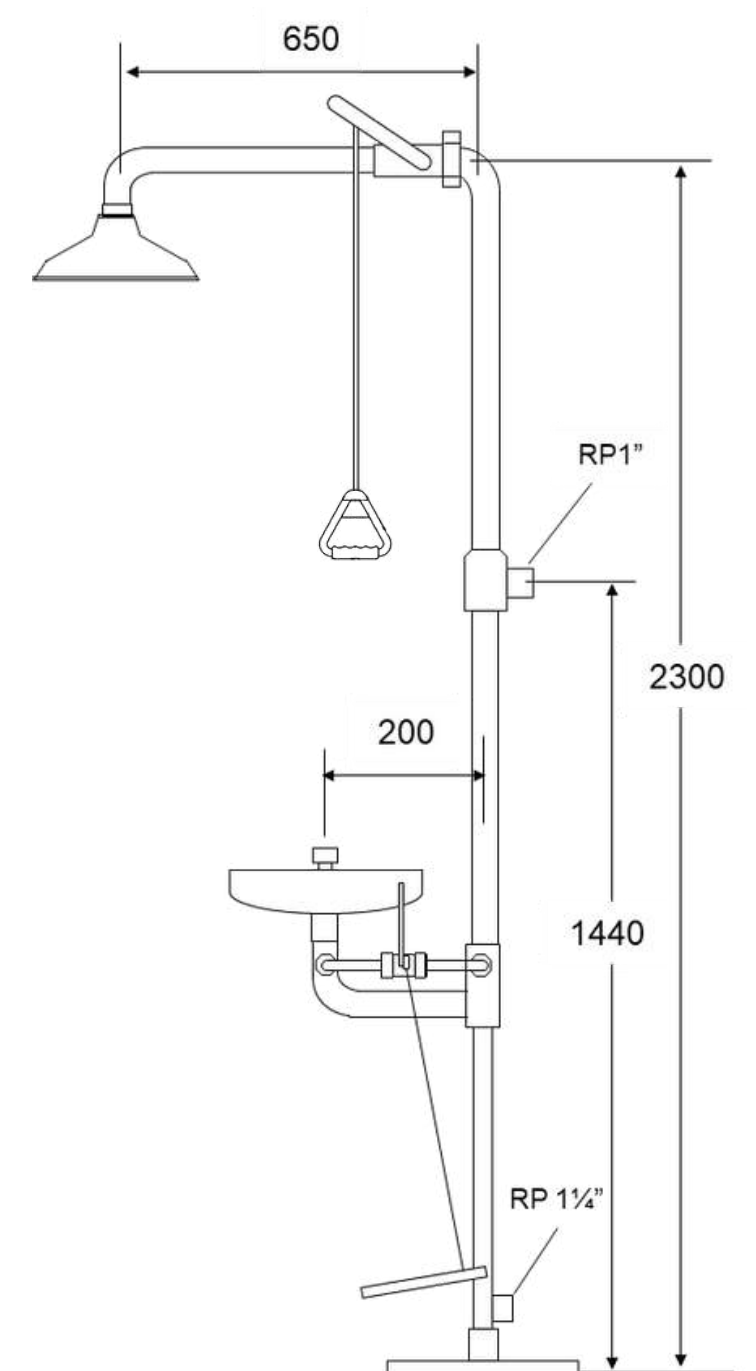
VAL-SE-S316

- Pipe & Fittings : 42mm stainless steel SS316
- Shower Head : 250mm - SS316 stainless steel
- Eyewash Bowl : 300mm - SS316 stainless steel
- Eye spray head: Chemical resistant PP, built-in with stainless steel filter for impurity clearance
- Adjustable water flow eye sprayer
- Foot Pedal : Stainless steel pedal
- Eyewash Ball Valve: 1/2" ball valve with push board.
- Shower Ball Valve: 1 " ball valve with pull bar
- Water Inlet : RP 1"
- Waste Outlet : RP 1-1/4"
- Water pressure : 0.2Mpa – 0.6Mpa
- Complied with ANSI Z358.1 standard



FEATURES

Pipe Material	42mm Stainless steel SS316
Shower Head	250mm stainless steel SS316
Eye Bowl	300mm stainless steel SS316
Eyewash Ball Valve	1/2" BSP eye wash ball valve with push board
Shower Head Ball Valve	Stainless steel 1" BSP shower ball valve with pull rod
Eye Sprayer	Anti dust cap PP sprayer head with filter and water flow regulator
Hand Push Board	ABS
Foot Pedal	Stainless steel with epoxy powder coated
Water Inlet	RP 1"
Water Outlet	RP 1 1/4"
Dimension (W * H)	640 * 2300mm



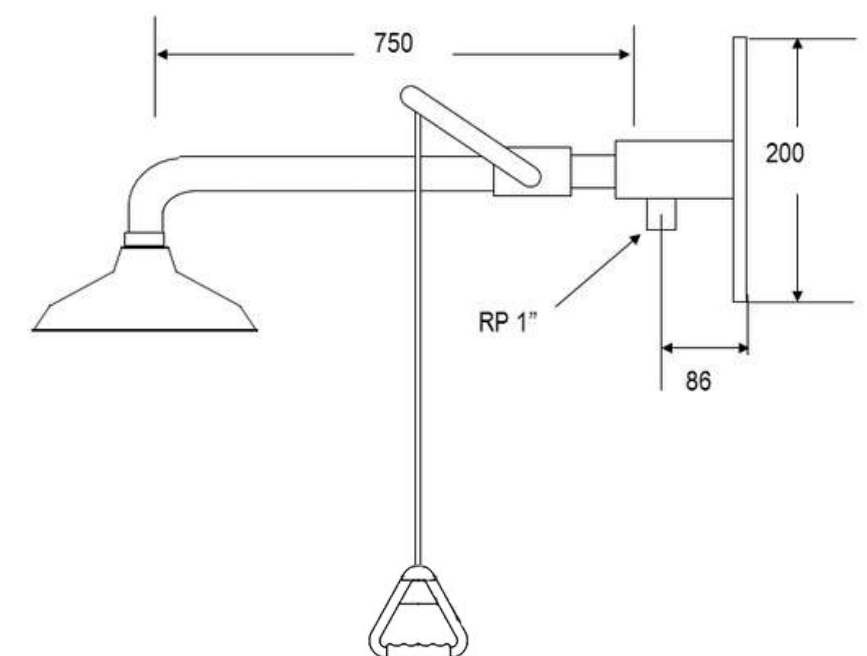
DIMENSION
mm

Emergency Shower Unit

Wall Mounted Emergency Stainless Steel Shower

VAL-SH-S

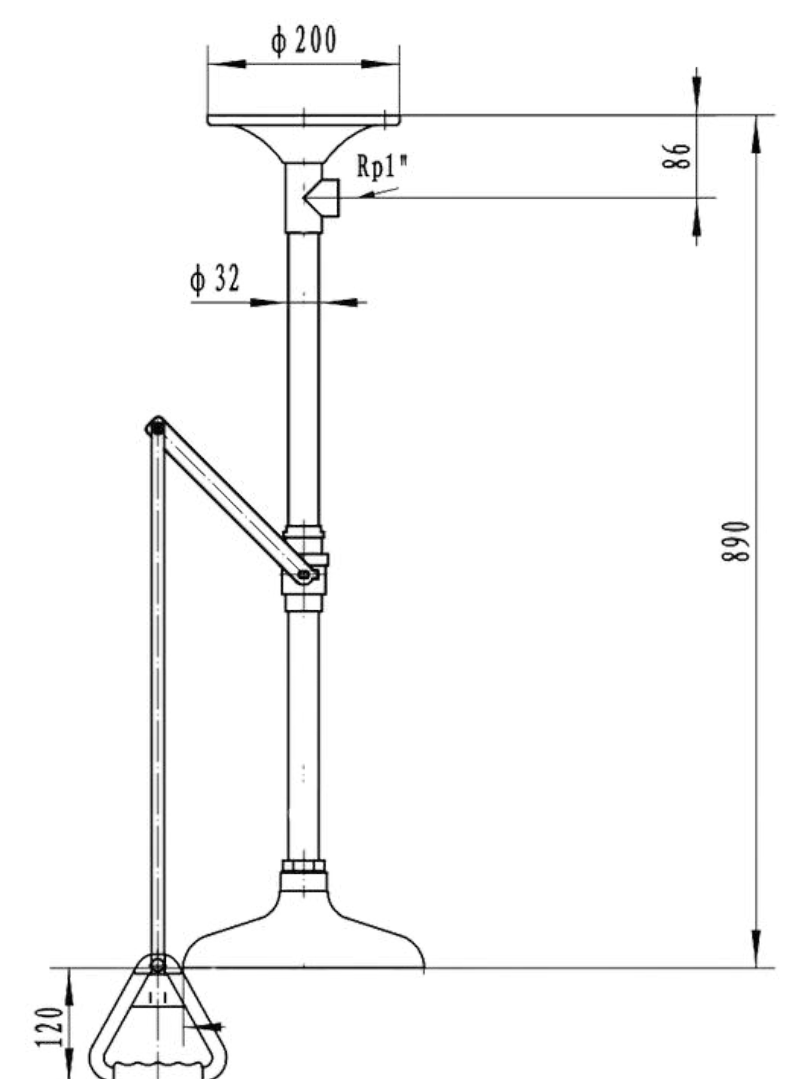
- Pipe & Fittings : 32mm stainless steel SS304
- Shower Head : ABS or SS304 stainless steel
- 1" Ball Valve with pull bar
- Water Inlet : RP 1 "
- Water pressure : 0.2Mpa – 0.6Mpa



Ceiling Mounted Emergency Shower

VAL-SHC

- Pipe & Fittings : 32mm stainless steel SS304
- Shower Head : ABS or SS304 stainless steel
- 1" Ball Valve with pull bar
- Water Inlet : RP 1 "
- Water pressure : 0.2Mpa – 0.6Mpa



Portable Gravity Eyewash Station

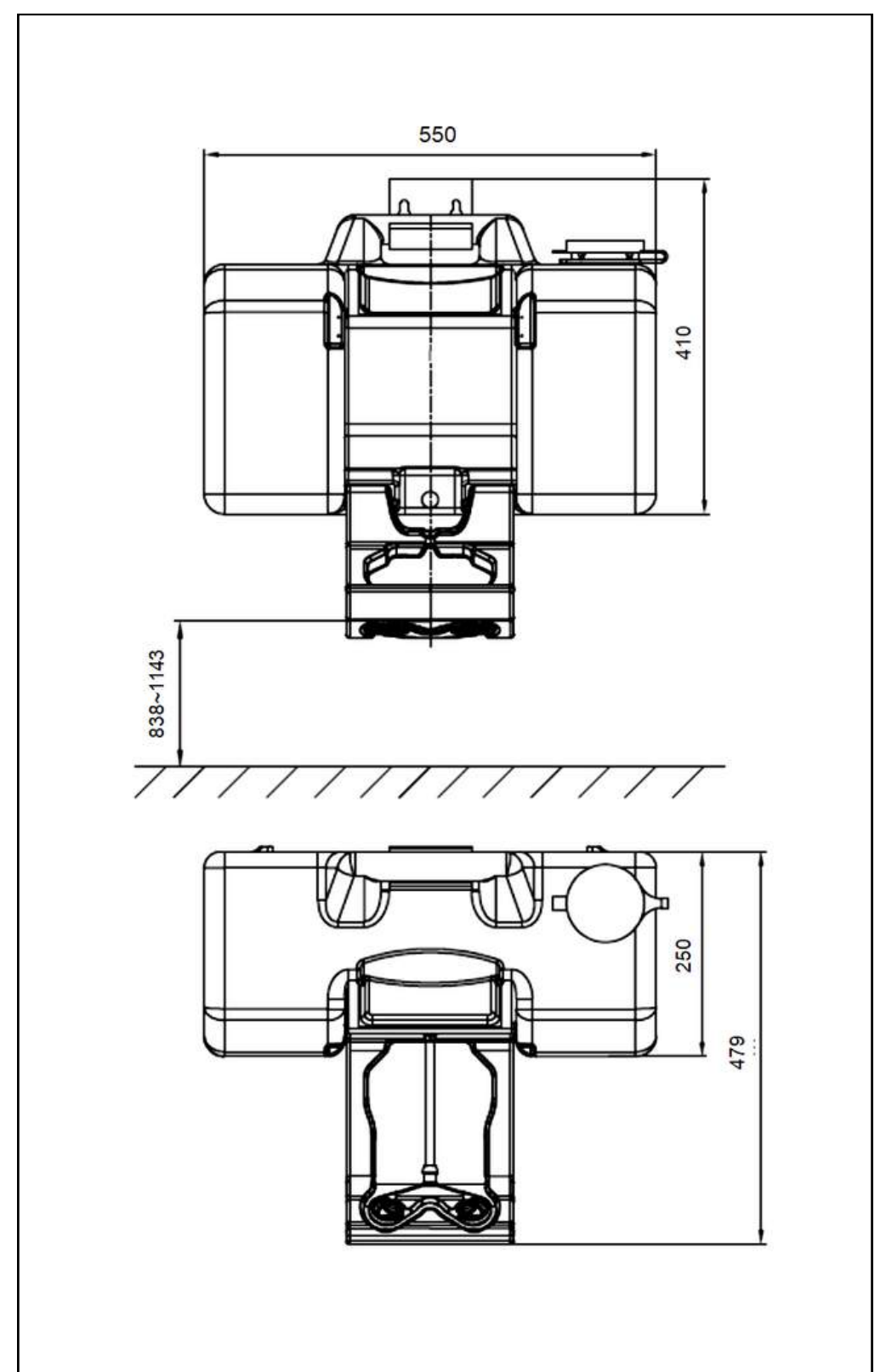
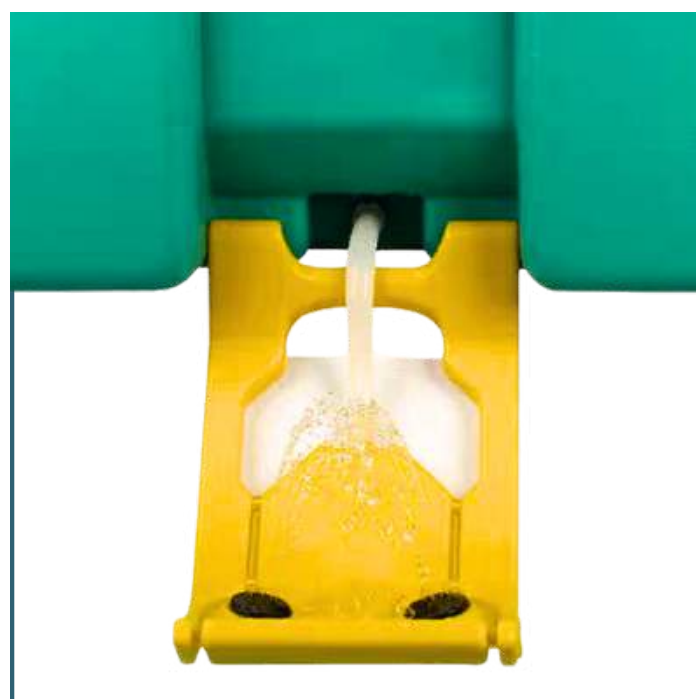
Portable eyewash stations are filled with clean tap water. This product can be used in field of Petroleum, Chemical, Laboratory, Medical Treatment etc. and flushing the chemistry liquid splattered eye and face rapidly, so reduce the level of injury to the minimum. Located near happen accident place, see easily and usage conveniently. Can install on wall or use with go-cart

30 Liters Portable Gravity Eyewash Station

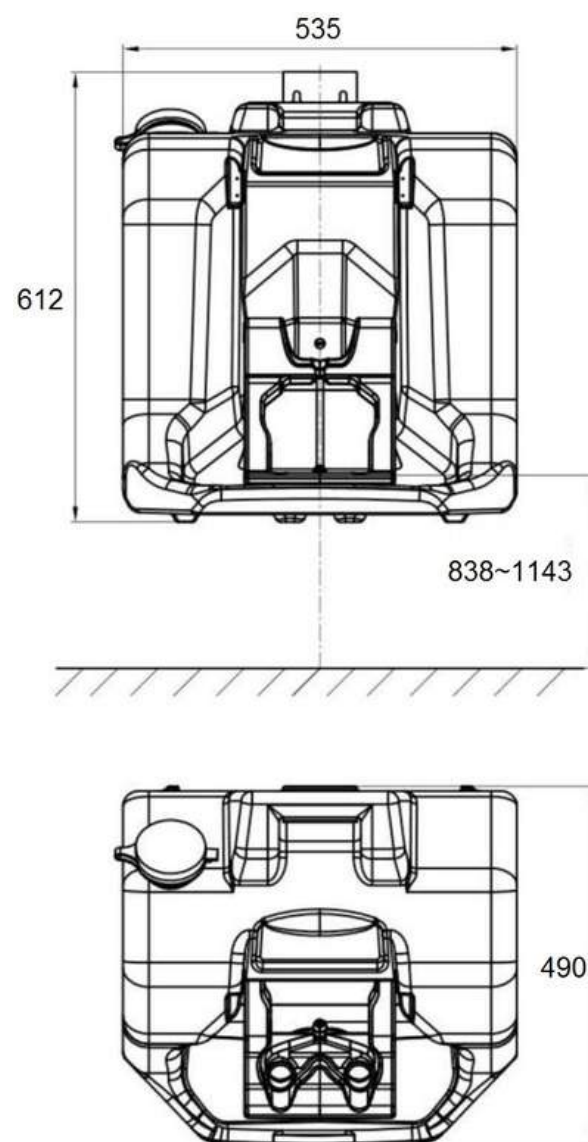
VAL-PE8

8 Gallons / 30 Liters

- Material: High density polyester, pro-environment and safety
- Capacity: The maximum reserve is 30L(8 gallon), workable is 28L available, ensure flushing for 15 minutes
- Wide water injection hole with dust cover
- Color: green
- Wall mounted bracket for installation
- Water flow: Due to change diameter on the water hole, so more bonhomie and rich, water yield is not lower than 1.5L/minute
- Complied with Rohs



60 Liters Portable Gravity Eyewash Station



VAL-PE16

16 Gallons / 60 Liters

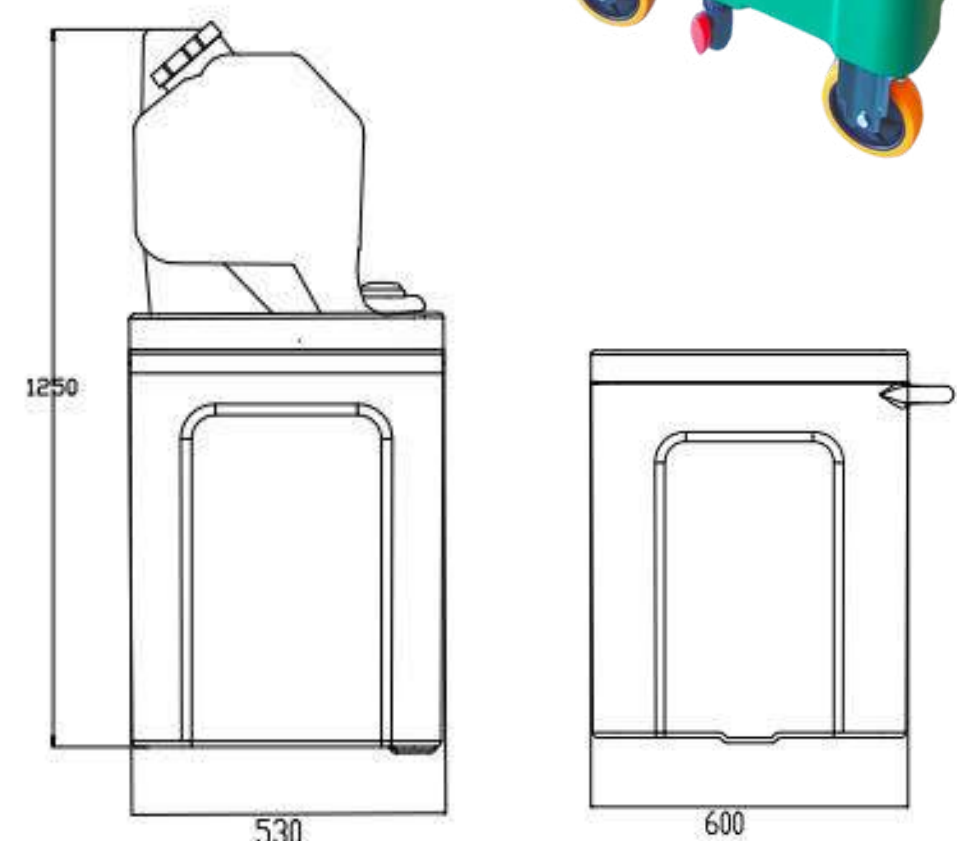
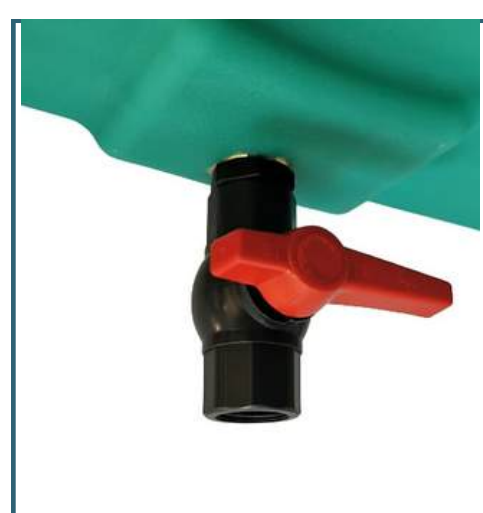
- Material : High density polyester, pro-environment and safety
- Capacity: The maximum reserve is 60L(16 gallon), workable is 40L available, ensure flushing for 15 minute
- Wide water injection hole with dust cover
- Color: green
- Wall mounted bracket for installation
- Water flow: Due to change diameter on the water hole, so more bonhomie and enrich , water yield is not lower than 1.5L/minute
- Complied with Rohs

60 Liters Portable Mobile Eyewash Station

VAL-PE16MC

16 Gallons / 60 Liters

- Material : High density polyester, pro-environment and safety
- Capacity: The maximum reserve is 60L(16 gallon), workable is 40L available, ensure flushing for 15 minute
- Wide water injection hole with dust cover
- Color: green
- Water flow: Due to change diameter on the water hole, so more bonhomie and enrich , water yield is not lower than 1.5L/minute
- Waste Cart size: 600L*530W*740H mm
- Provides transportation and waste collection
- Drain valve at the bottom of the cart
- 4 castor wheels can be moved according to the site
- Complied with Rohs



Laboratory Bench Mounted Eyewash Units & Parts



Bench Mounted Eyewash Station

Bench mounted eyewash station can be mounted to the countertop or attached to a laboratory sink. The eyewash station has twin spray heads so both eyes can be flushed with a soft flow of water at the same time. The spray heads have filters to protect users from particles in the water. Can be easily activated by a ABS push board.



VAL-BE-10

Bench Mounted Eyewash Sprayer

- Body Material: Brass with high gloss galvanization powder coating, resistant to chemicals, UV and temperature
- Sprayer head with dust cover
- Switch: Trigger on and off
- None-return valve, auto shut off
- Hose: Length 1.5m PVC with stainless steel mesh
- Max. Working pressure: 7.0 Bar



VAL-PE-N01



VAL-PE-N2



Hose and fittings



Trigger on and off

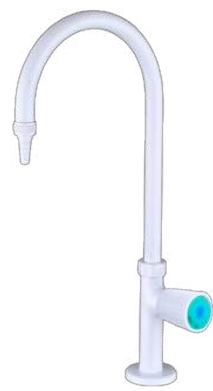
Laboratory Faucets & Parts

ONE WAY FAUCET

- Desktop single PP nozzles faucet
- Body : Brass with gloss epoxy coating
- Handle & nozzle material: PP
- Corrosive & heat resistant, anti-UV
- Water pressure : 0.8-1.0Mpa
- Lightweight and durable
- Connection : G1/2"



V-WF1



V-WFR-1



V-WFL-1

SINGLE WAY HOT/COLD MIXING FAUCET

- Desktop single PP nozzles faucet
- Body : Brass with gloss epoxy coating
- Handle & nozzle material: PP
- Corrosive & heat resistant, anti-UV
- Lightweight and durable
- Connection : M32 X 1.5



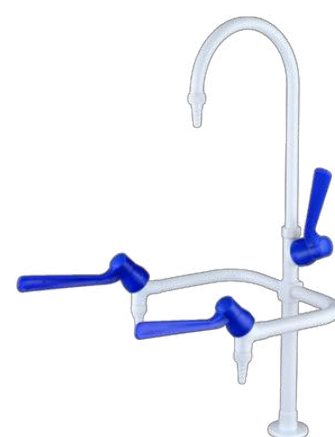
V-MX-WF

THREE WAYS FAUCET

- Desktop triple PP nozzles faucet
- Body : Brass with gloss epoxy coating
- Handle & nozzle material: PP
- Corrosive & heat resistant, anti-UV
- Water pressure : 0.8-1.0Mpa
- Lightweight and durable
- Connection: G1/2"



V-WFR-3



V-WFL-3

PEGBOARD

- Material: PP
- Type: single Faced
- Holders : 27 & 52
- Tray hole for water drainage
- Detachable peg
- Panel mounted / deck mounted
- Color: Grey



V-PEG27 /
V-PEG52